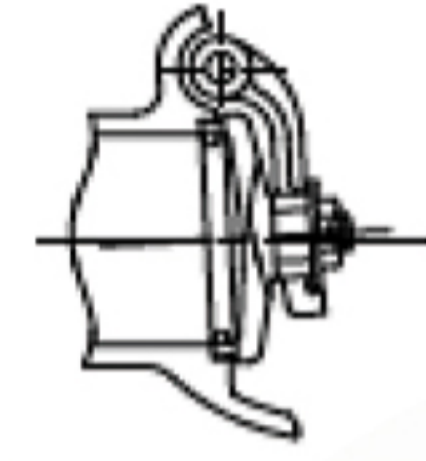


# CLASS 125 IRON SWING CHECK VALVE

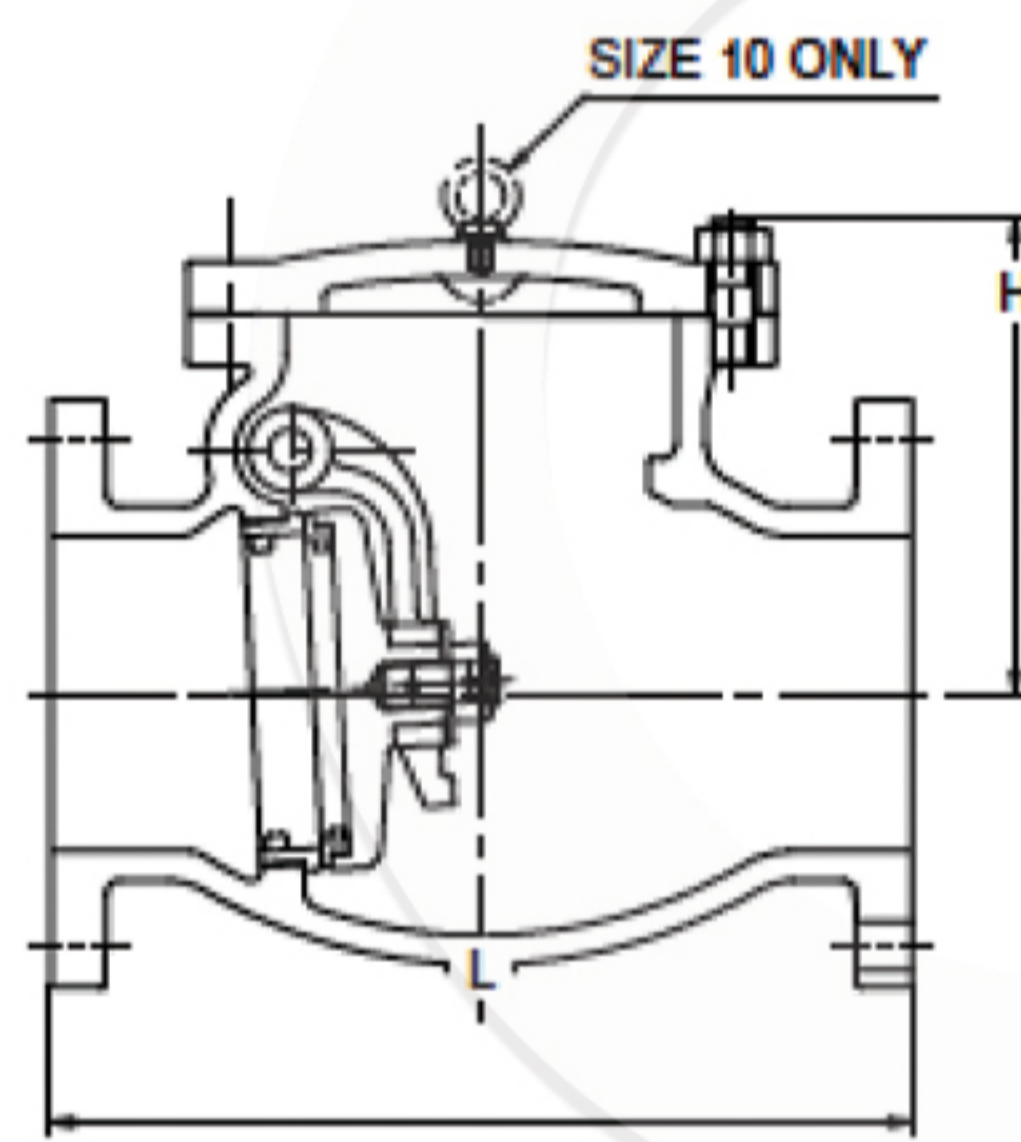
Bolted cover, swing type disc.

**Fig. 125FCO**

• Bronze trim



SIZE 4 & LARGER



**Materials**

Parts	Material	ASTM Spec.	
		125FCO	125FCOS
Body	Cast Iron	A126 CL. B	
Cover	Cast Iron	A126 CL. B	
Hinge pin	Brass/Stainless Steel	B124 C37700	A276 Type403
Disc	2 to 4	Brass/Stainless Steel	B62
	5 & larger	Cast Iron	A126 CL. B
Disc seat ring	Brass/Stainless Steel	B62	A182 Gr.F6a
Body seat ring	Brass/Stainless Steel	B62	A182 Gr.F6a
Arm	Stainless Steel	A351 Gr.CF8	
Gasket	Asbestos-free		
Cover bolt/nut	Carbon Steel		

For ASME Valves Pressure-Temperature Ratings, refer to page 2.

**Dimensions**

Valve Size	NPS	2	2 1/2	3	4	5	6	8	10	mm
	DN	50	65	80	100	125	150	200	250	
<b>L</b> Face-to-face		203	216	241	292	330	356	495	622	
<b>H</b> Height (OPEN)		111	121	145	165	207	225	268	315	